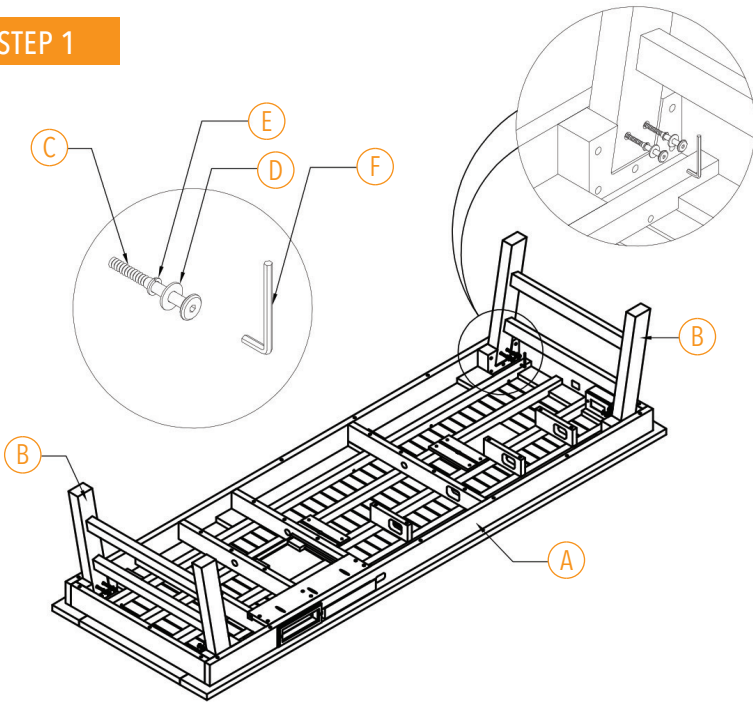
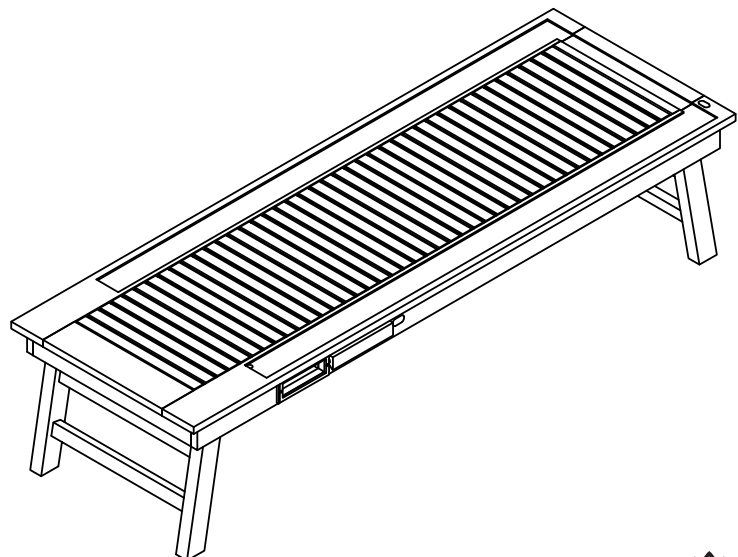


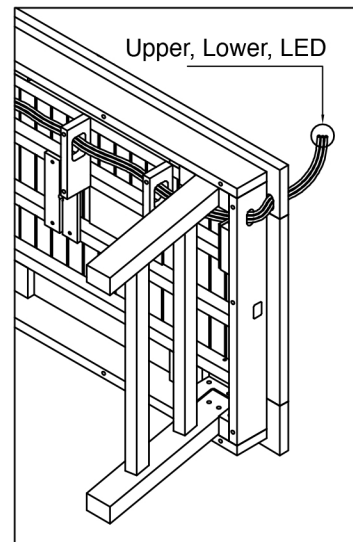
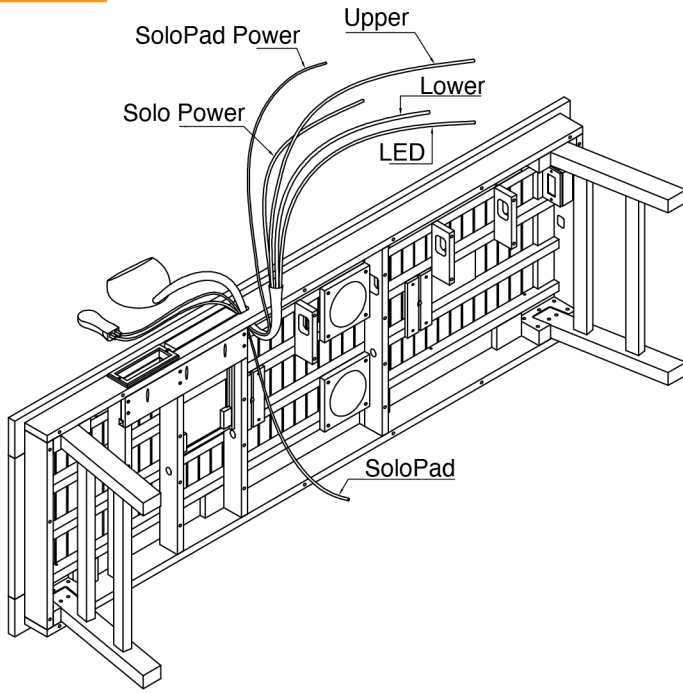
STEP 1



STEP 2

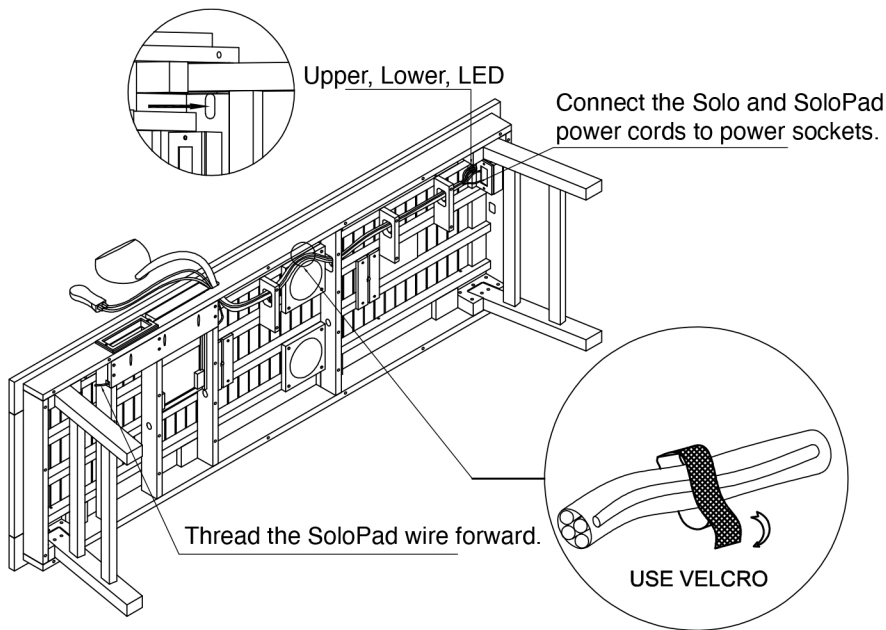


STEP 3

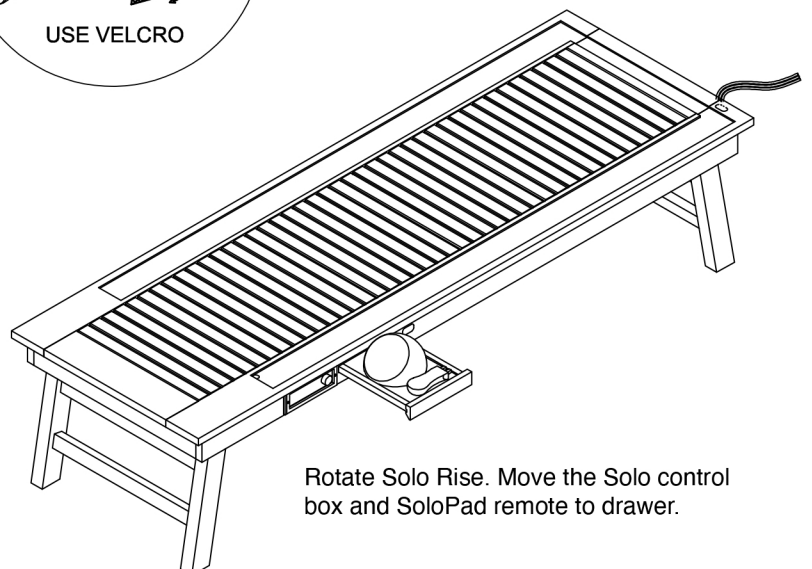


Thread the upper, lower, and LED wires from the back and up through the top.

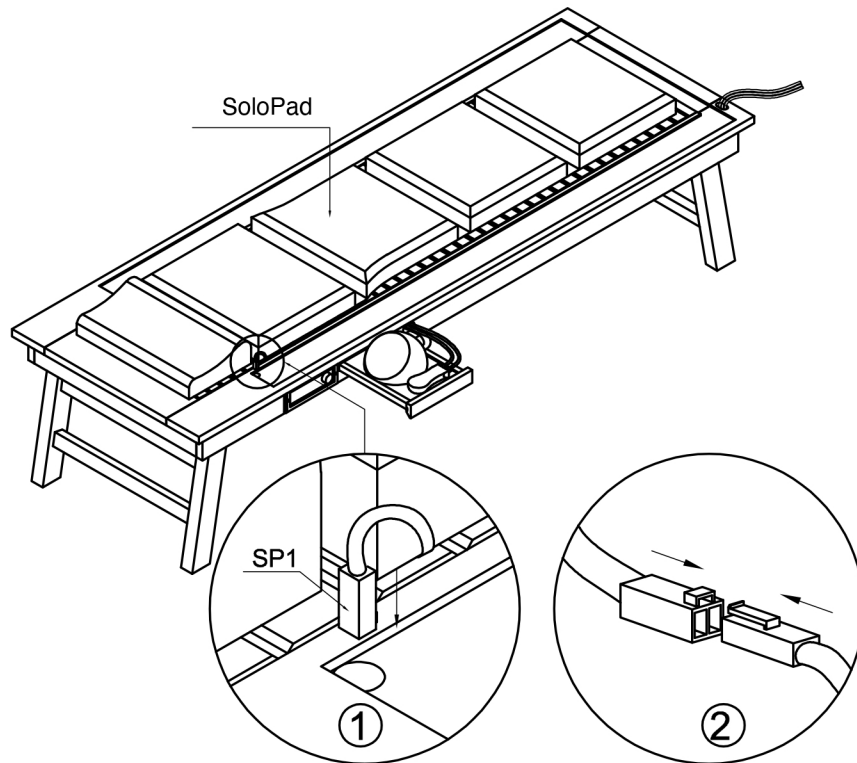
STEP 4



STEP 5



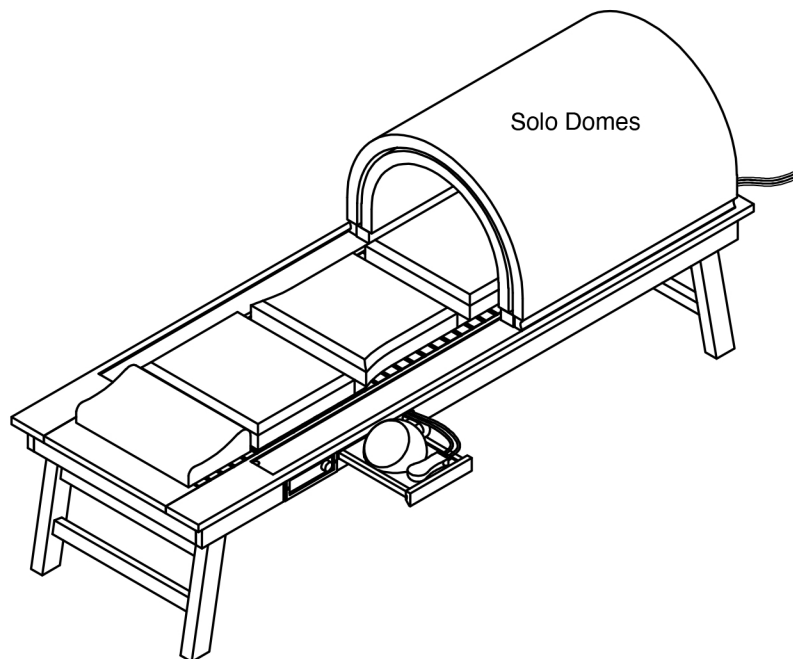
STEP 6

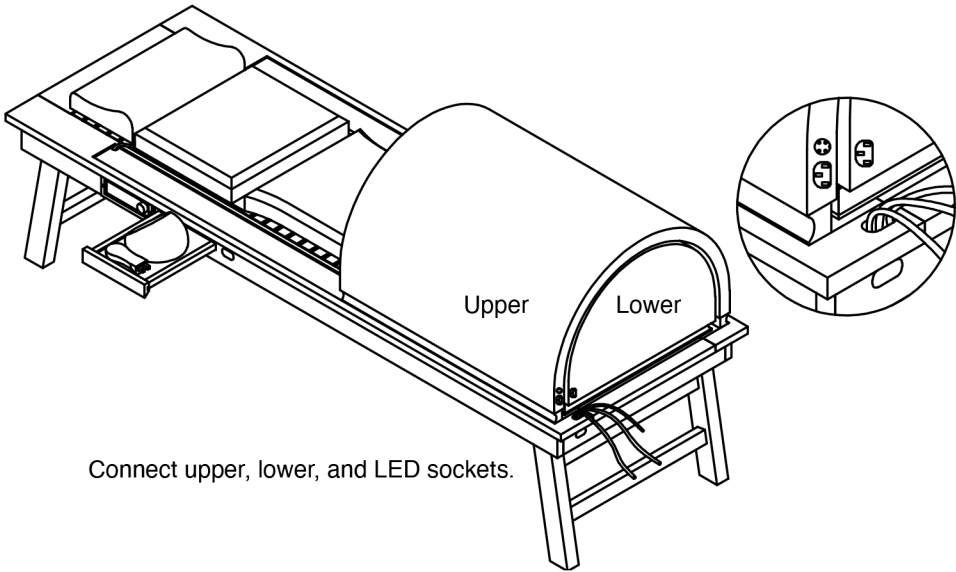


Unscrew the black connector cover and then thread the wire SP1 down.

Connect SP1 to wire SoloPad and then screw black connector casing back together.

STEP 7





Connect upper, lower, and LED sockets.

