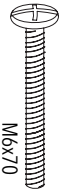


included in door handle

① 2x



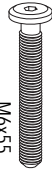
② 4x



③ 2x



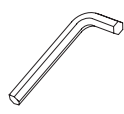
④ 7x



⑤ 4x



⑥ 1x

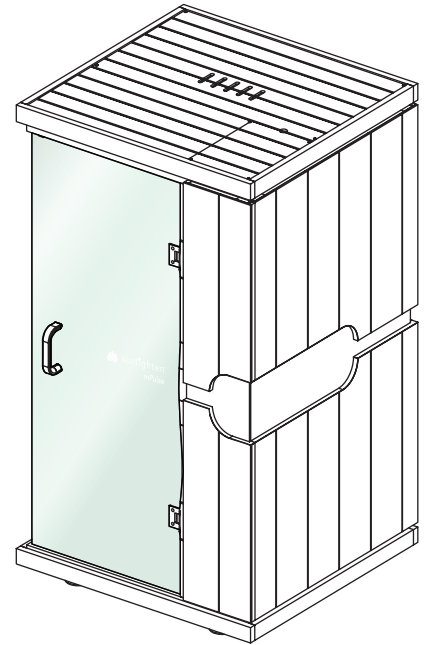


⑦ 1x

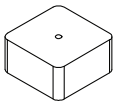


Allen wrench

Philips Screw Driver



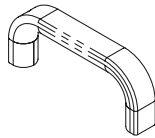
Ⓐ 5x



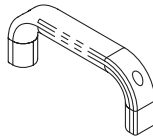
Ⓑ 2x



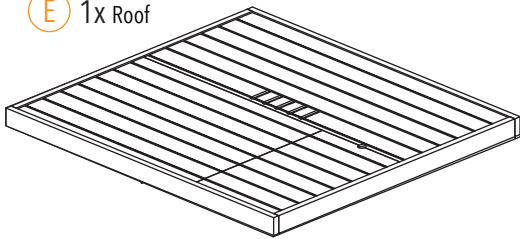
Ⓒ 1x



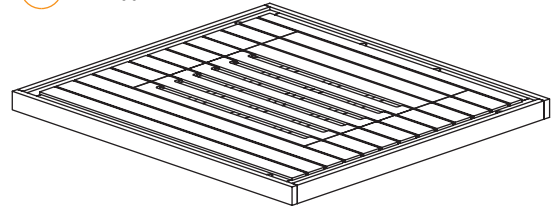
Ⓓ 1x



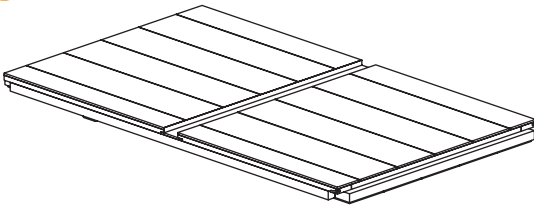
Ⓔ 1x Roof



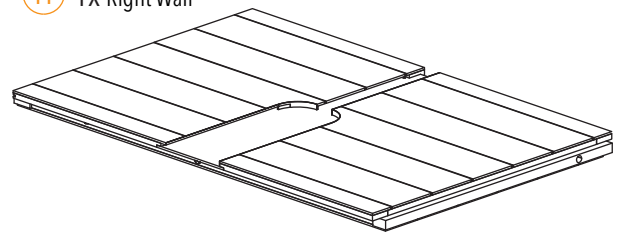
Ⓕ 1x Floor



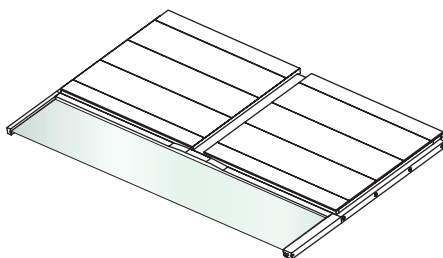
Ⓖ 1x Back Wall



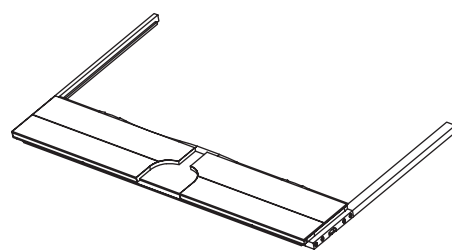
Ⓗ 1x Right Wall



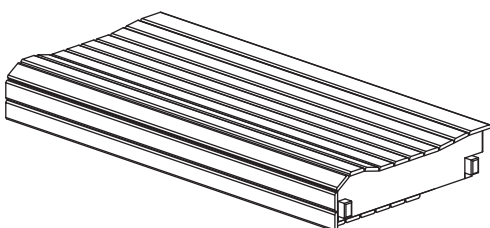
Ⓘ 1x Left Wall with glass panel



Ⓙ 1x Front Wall



Ⓚ 1x Bench



Ⓛ 1x Glass Front Door



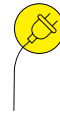
PRE-STEPS

Unpack each wall segment from the shipping material, stage each wall segment in the room you will be assembling the unit.

Remove the internal wooden heater frames during unpacking of the wall segments, set these aside for installation after the sauna is assembled.

Remove the small wooden wire covers at the base of each vertical wall segment, set aside for placement after the sauna is assembled.

If interested in viewing an assembly video, please visit youtube.com/sunlightensaunas. Click on Assembly/Disassembly playlist.

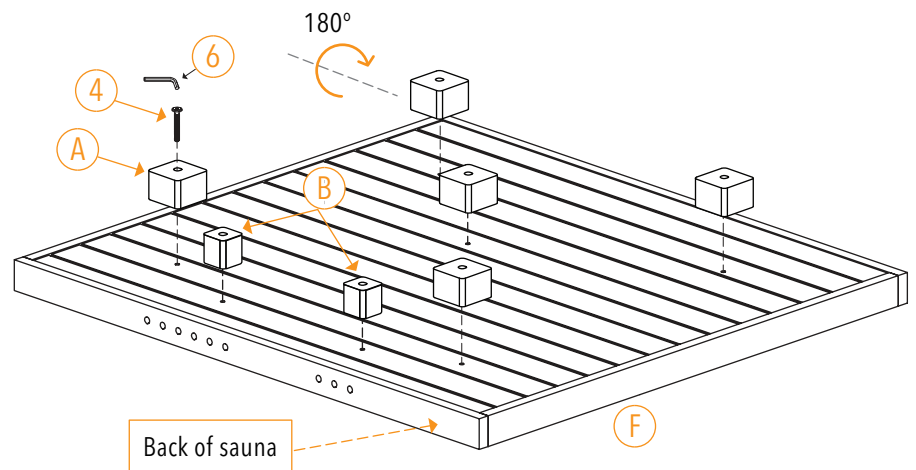


120V, 2160 watts. Dedicated 20A circuit* and 20A power socket. It is important when installing the dedicated circuit for your unit that you include a GFCI (Ground Fault Interrupter) or a Dual Function (Combination AFCI and GFCI) breaker. Please note if your codes require a DF or GFCI. Make sure to plug sauna directly into wall outlet; not a power strip, extension cord or converter, etc.

** Failure to do so will void your sauna's warranty and customer will assume liability for any electrical damages to the sauna itself or the residence/business in which the sauna is installed.*

STEP 1

The first step to installing your new sauna will be to insert the legs underneath the floor panel. The holes are already pre-drilled so all you need are the bolts (4) and the Allen wrench (6). This is necessary to allow air circulation to flow underneath and maintain the integrity of the unit. After legs are in place, please turn floor panel 180° so the back of the sauna connects with the back wall (G) as shown below.



STEP 2

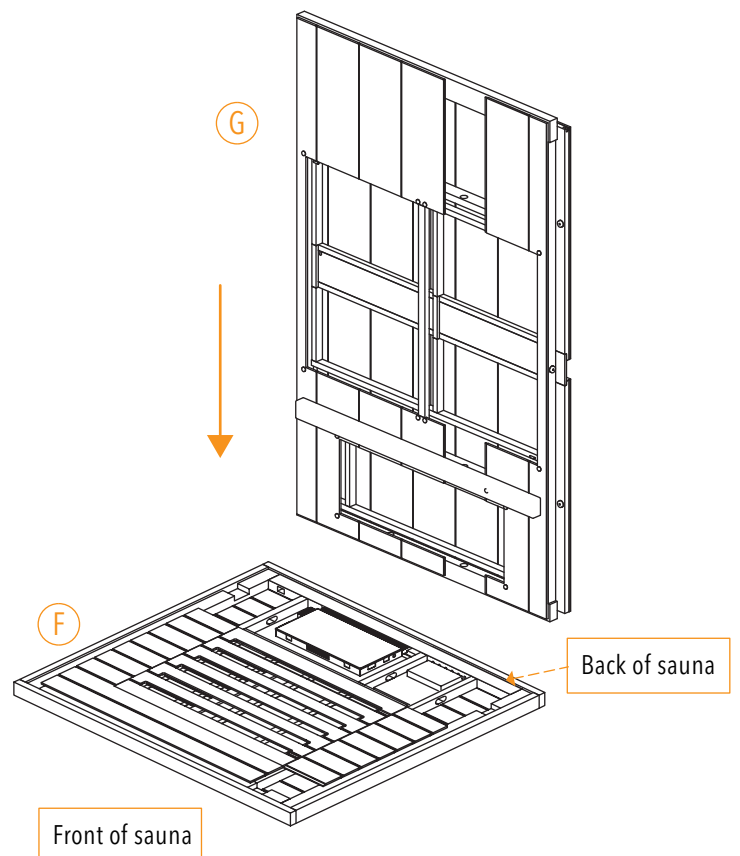
NOTE: Before you begin installing the walls, be sure you have at least:

- Recommend 4 inches between the sauna and the walls and 6 inch gap from the top of the sauna to the ceiling to allow for optimal air circulation and temperature performance and also to allow access for troubleshooting:
 - Spacing above for assembly connections recommended and potential troubleshooting.
 - Plan for outlet access in the event you need to reset outlet breaker.
- Recommended best practice to leave sauna door open and to open the vent in the ceiling post sauna session to allow for proper ventilation.

Unscrew the screws holding the floor cover at the rear of the floor. Then remove the floor covers (take care not to step on the electrical components).

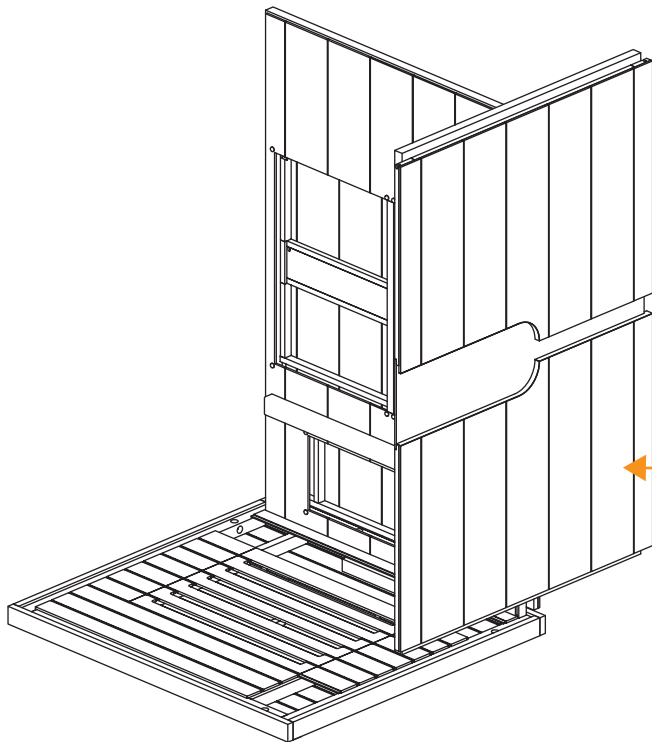
Make sure the floor panel is placed on a surface that is relatively smooth and perfectly level. Failure to do so can cause the door to not close all the way in the later steps.

In this step, make sure one person is holding the wall while the other helps balance it and press it in place.



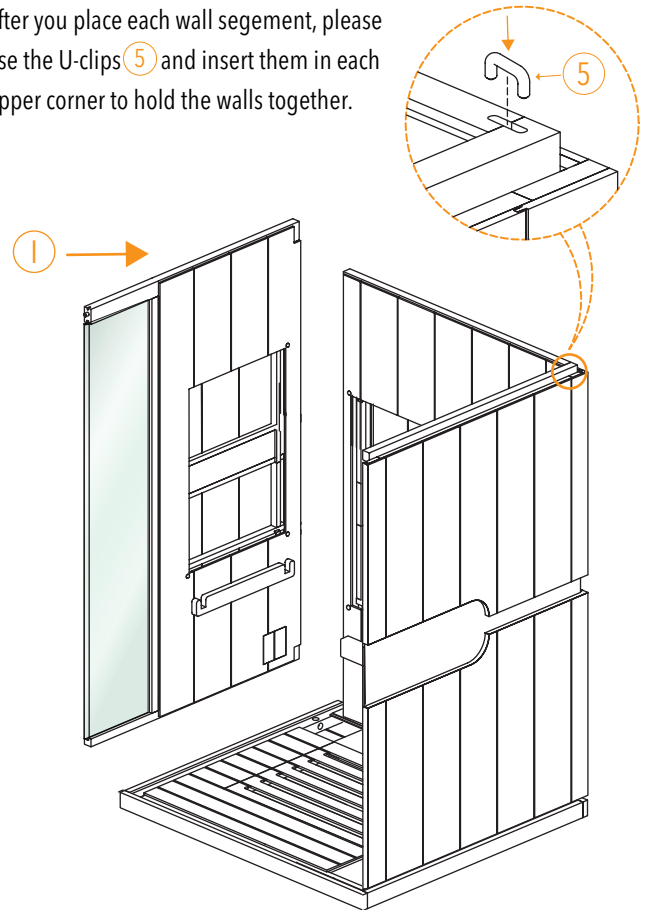
STEP 3

The following walls will be inserted the same way as STEP 2. Make sure the wires coming out from the bottom hatches don't pinch when you mount the walls.



STEP 4

After you place each wall segment, please use the U-clips (5) and insert them in each upper corner to hold the walls together.



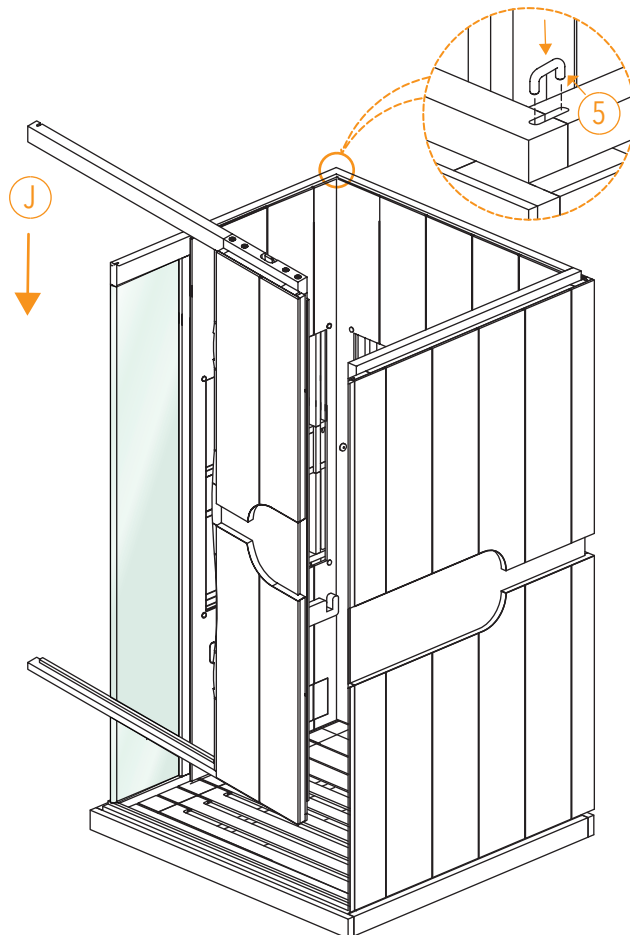
STEP 5

The front wall (J) will be the last to install.

There will be wire connections that need to be made at the base of each wall panel. These can be accessed by small hatches on the walls (floor hatch for the front). If a cable gets stuck in the floor it can be accessed by removing the wood piece that covers the power box.

A diagram showing the connection locations can be found on STEP 8.

NOTE: If you ever have trouble getting a U-clip to slide in, this can be resolved by tapping it with a hammer.

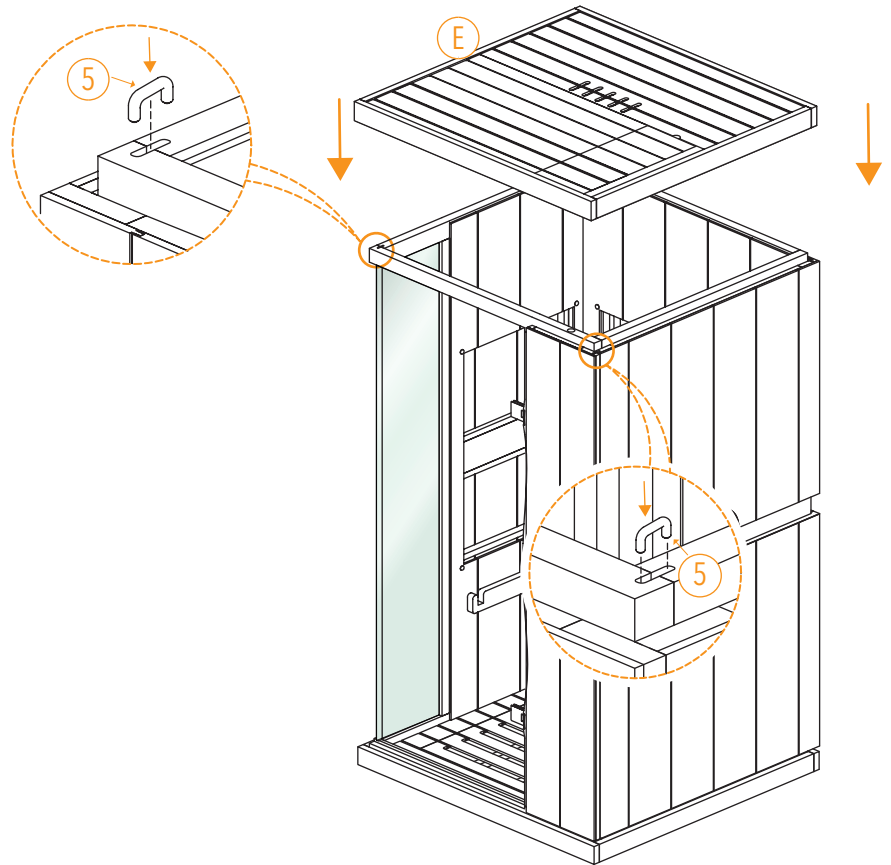


STEP 6

After all four U-clips (5) are inserted in the corners, the next step will be to place the roof on top. The roof will also reinforce the walls in position along with the clips.

NOTE: Prior to placing the roof, ensure the wiring is protruding from the front wall so they can be fed into the roof as it is placed. It would be helpful to have at least two people here. At least one to prop up the roof while the other feeds the connections (listed in step 7) into the roof cavity.

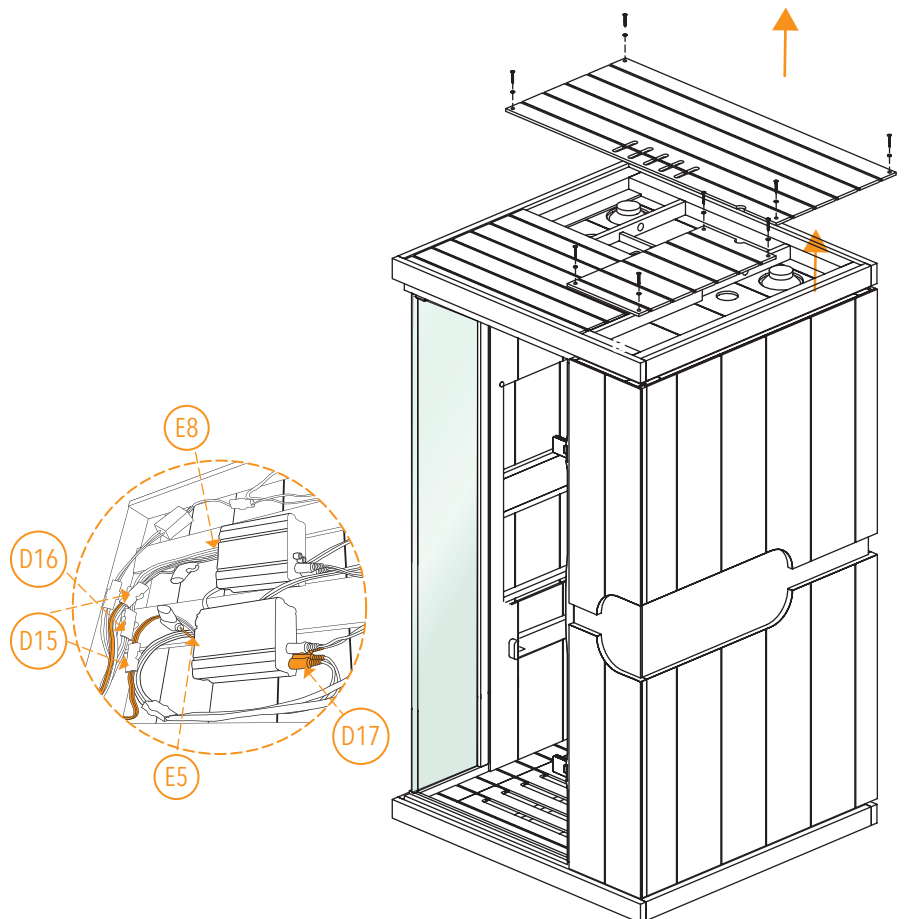
NOTE: The roof may require some slight manipulation to fall into place on top of the wall panels.



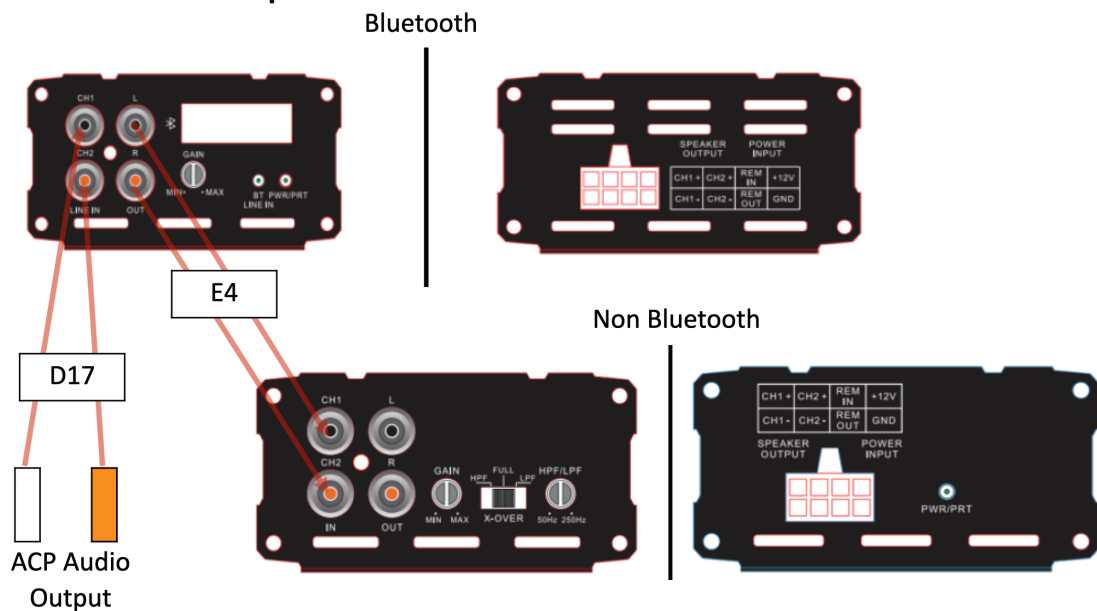
STEP 7

After the roof is placed, remove the right (when facing the sauna) wood panel on the roof. There should be the connections to the lights and speakers at the top front. Connect those as listed below so you can turn on the lights and listen to sound.

- Connect 2-pin translucent plug with black and blue wires to black transformer box.
- Connect 3-pin rectangular plug (D15 - two red, one white) into E5.
- Connect E5 to SP-Amp.
- Connect D17 RCA plugs (one red and one white) to left side of SP-Amp.
- Leave D16 cable 4-pin, white rectangular connector and second D15 3-pin rectangular connector unplugged unless you purchased the Sound Therapy Kit.
- If Sound Therapy was purchased, plug D15 and D16 into E8.
- Plug E8 into SS-Amp.




Reference Picture, RCA receptacles of BT and Non-BT amps



STEP 8

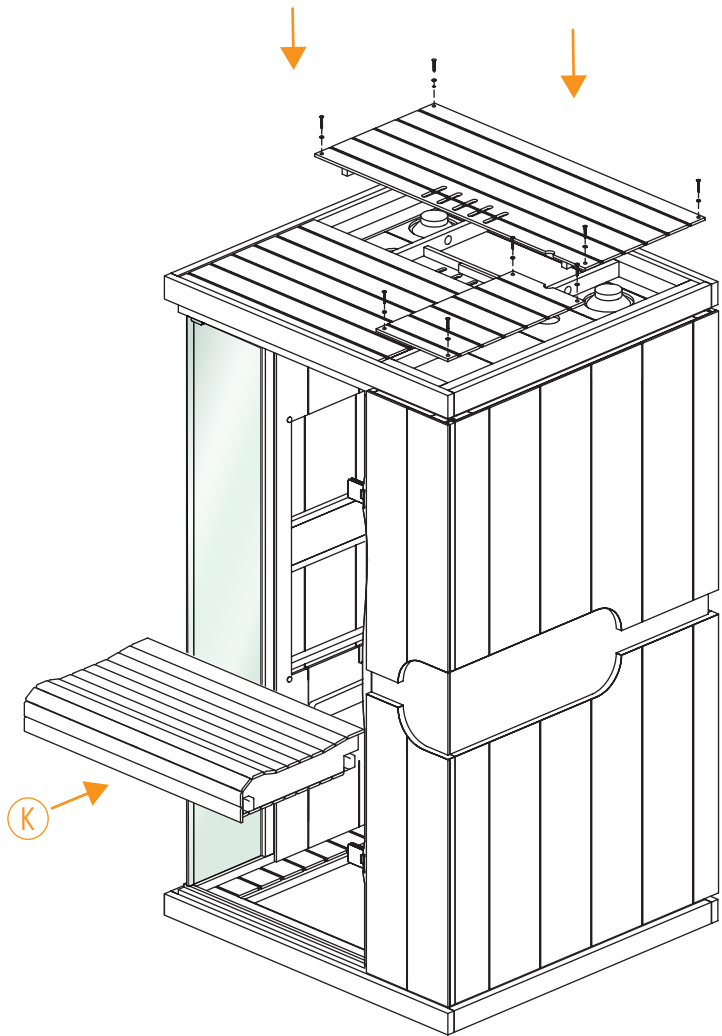
Screw the wood cover back into place to protect the lights and speakers from dust and other floating residue.

As mentioned in STEP 5, now is the time to connect all four sets of wire connections (per figure below) in each bottom section of the walls/floor.

Next, remove heater frames. Then install the bench. 

Now, place the heater frames back in their respective locations.

NOTE: Look at the back of the heater frames for the "This Side Up" sticker for proper orientation.

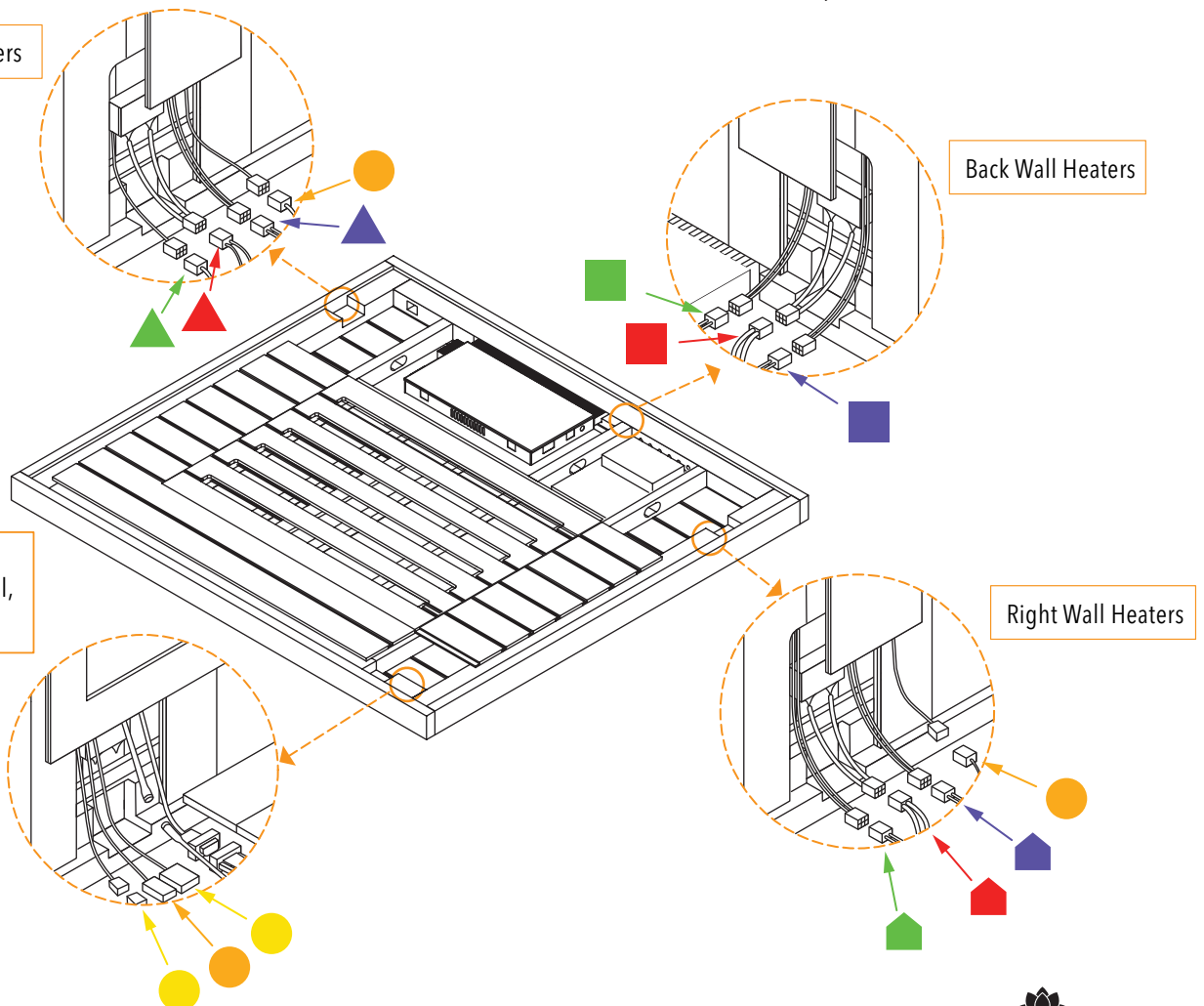


Left Wall Heaters

Back Wall Heaters

Front Wall Heaters,
Lights, Control Panel,
Sound Therapy

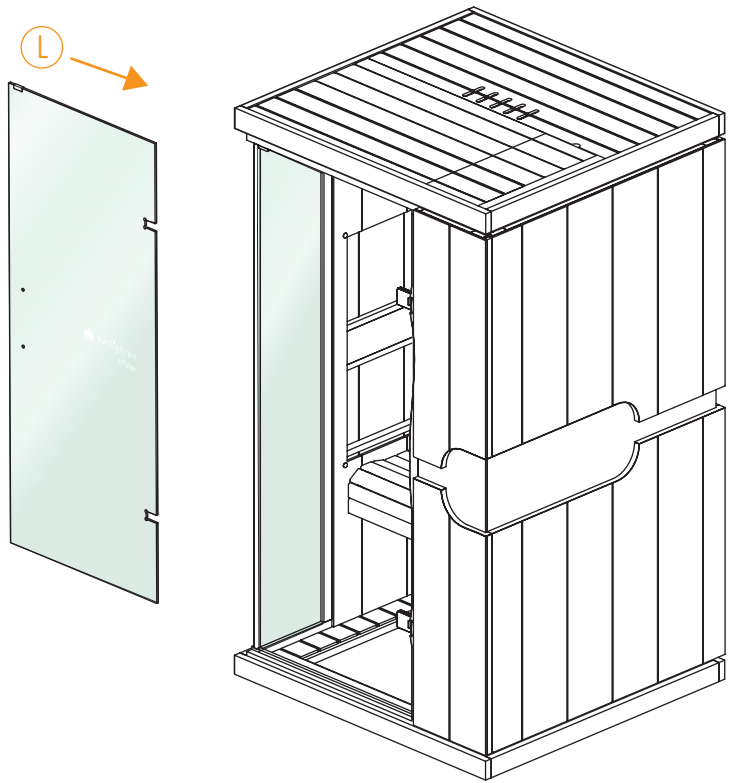
Right Wall Heaters



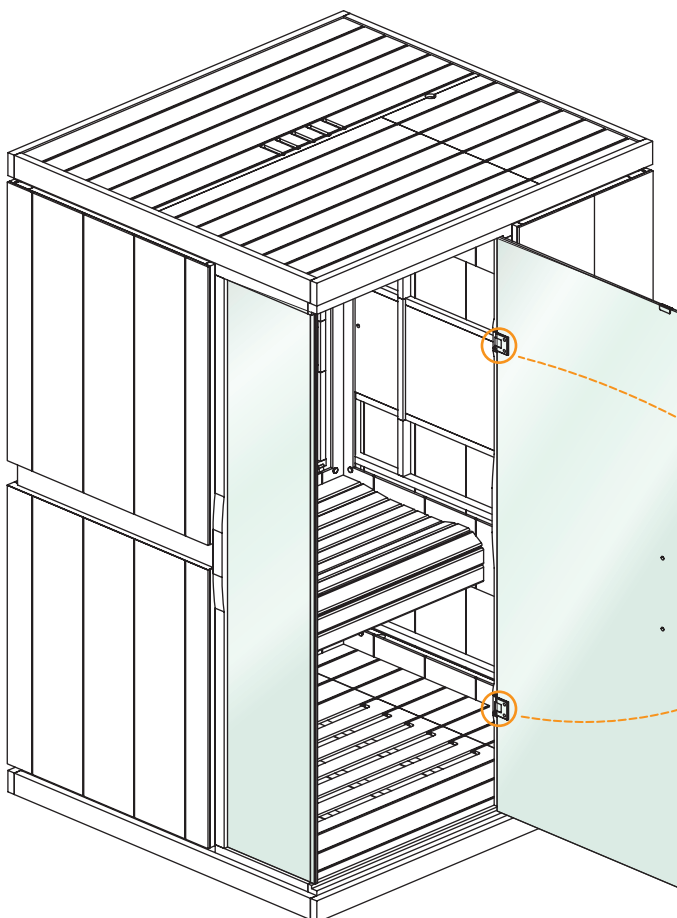
STEP 9

After the bench is placed in the unit, the next step will be inserting the glass door (L). Please ensure you have at least one other person to assist with this step. Do not put the door handles on as that will be done in a later step after the door has been safely attached in this step.

NOTE: You can use a paint stick to shim the glass door at a desirable angle above the threshold as you mount it.



STEP 10

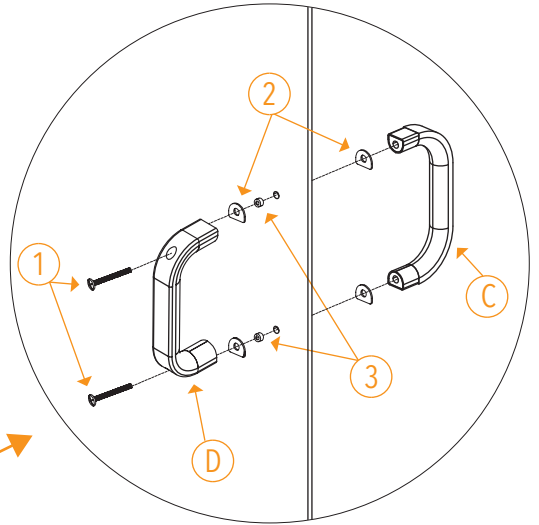
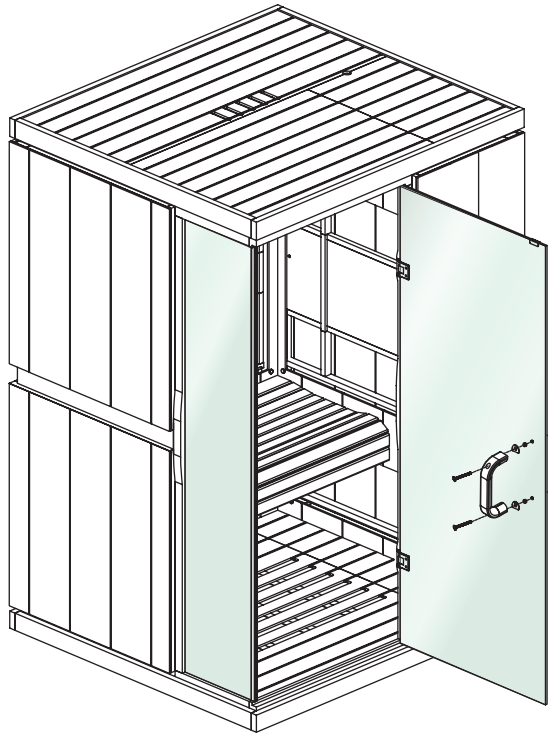


Using the Allen wrench (6), you will tighten the bolts into the hinges as the door (L) is inserted. Make sure the bolt is inserted firmly. Each hinge will have four plastic gaskets. The door will be inserted between the four gaskets.

Make sure the rough-texture side of the gasket is against the glass door as you insert it. This will give it the grip needed to hang it. Likewise, make sure the gaskets touching the hinges also are doing so by the rough side.

STEP 11

The gaskets, bolts and washers ①, ②, and ③ will come with the handles. The washers need to be inserted into the door holes first before the gaskets go on and eventually the bolts. The rough side of the gaskets must be facing the glass door. Be sure to have a second person hold the handle in place while the other inserts the bolt.



Congratulations, your sauna is now setup!

Now, setup your touch screen. Please refer to the tech guide via sunlighten.com/android-tech-guide.

If you have any questions, please call **Sunlighten Customer Support** at **1-877-292-0020**.

